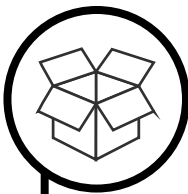
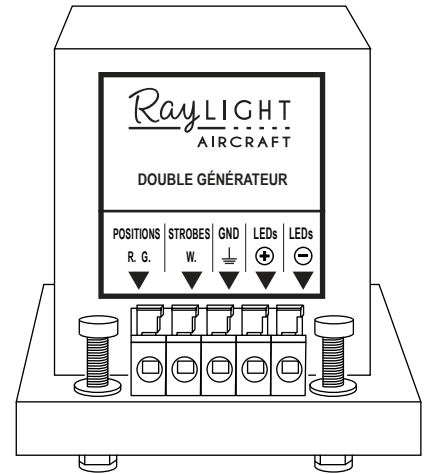
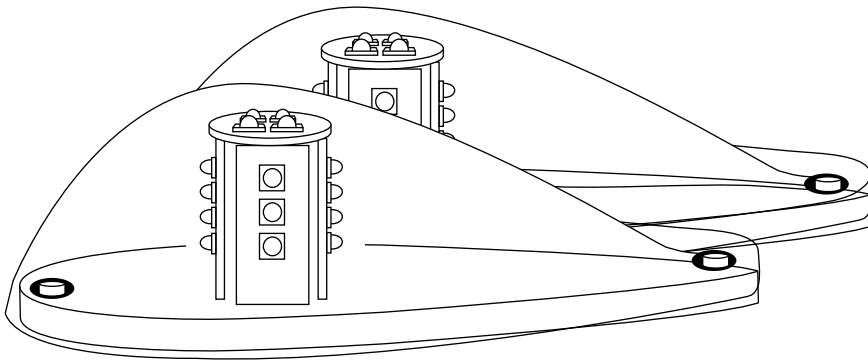
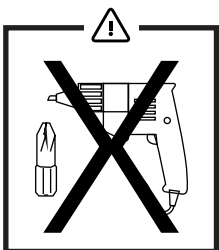
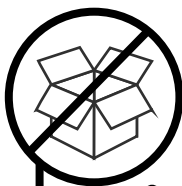


HERA

REF : HERA-DOUBLE-W

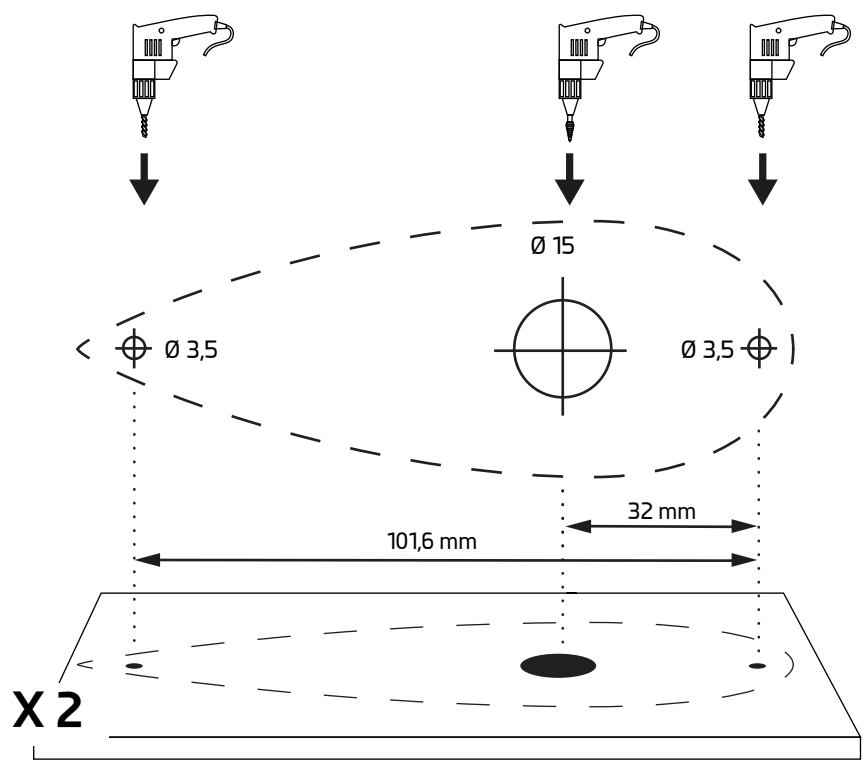
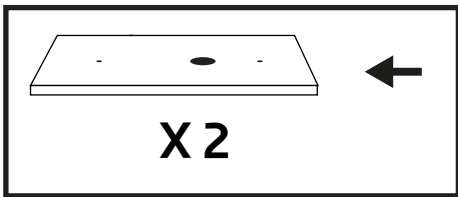
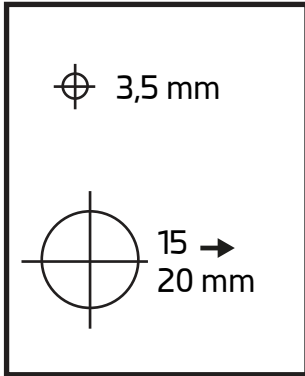
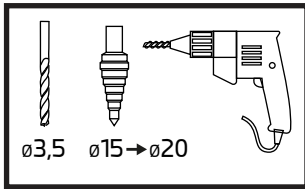


	X 1		X 8
	X 2		X 8
	X 2		X 4
	X 2		X 8

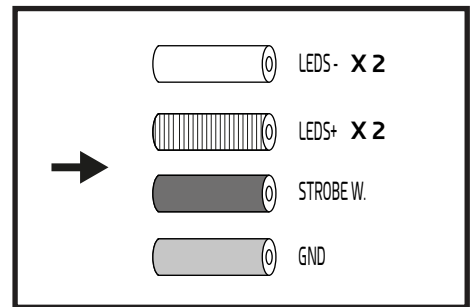
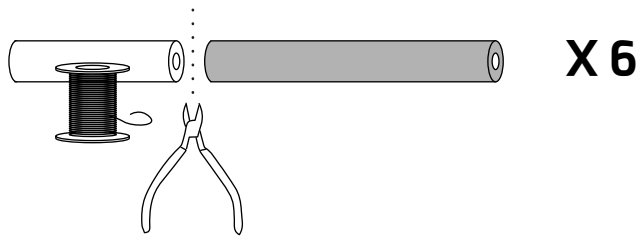
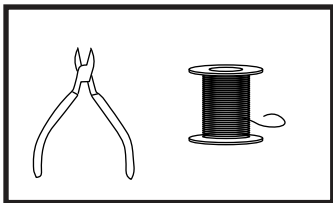


					5,5 mm
			<div style="border: 1px solid black; padding: 5px;"> <p>Cockpit option</p> <p>STROBE</p> <p>7</p> <p>5A</p> </div>		
∅3,5 mm	∅15 mm → ∅20 mm	0,25 mm² → 1,5mm² (AWG 16 - 26)			

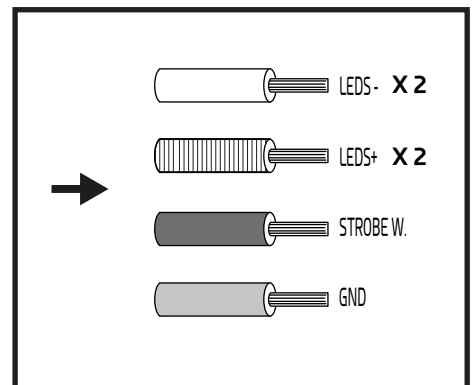
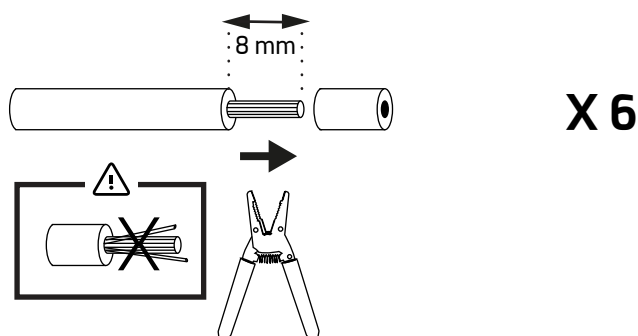
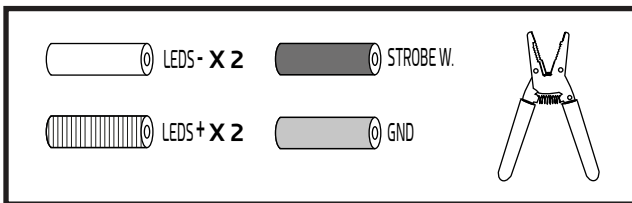
1



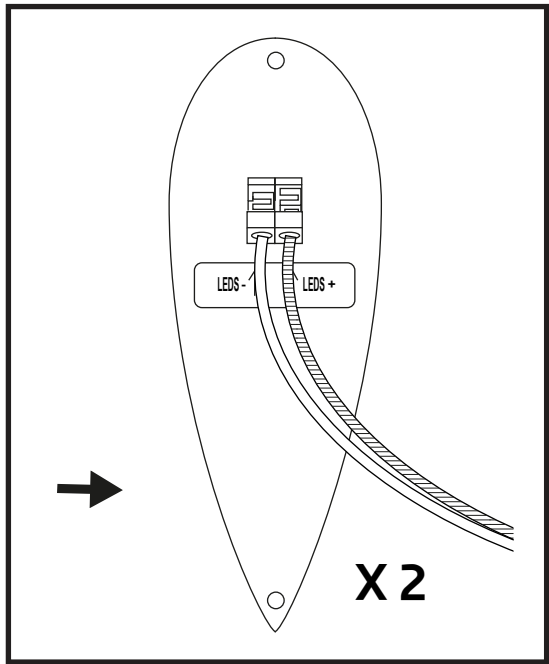
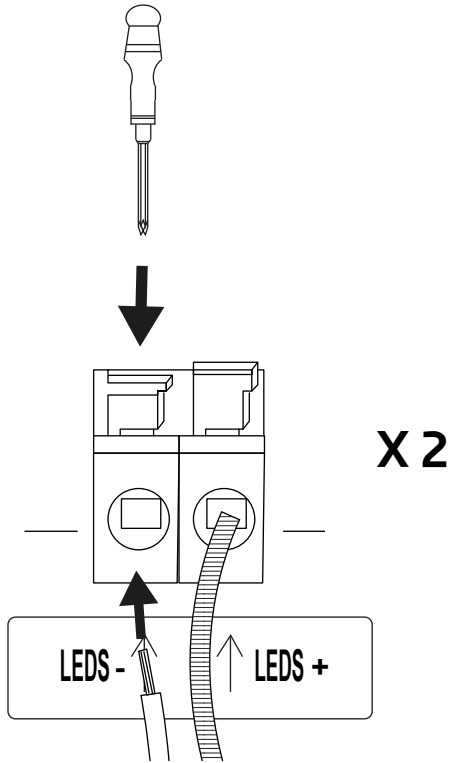
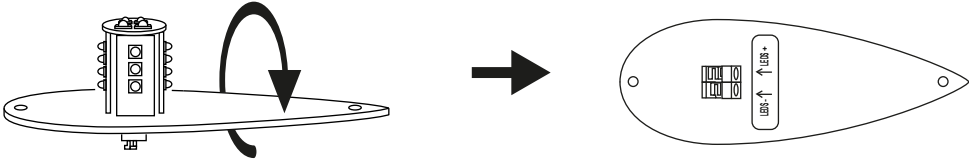
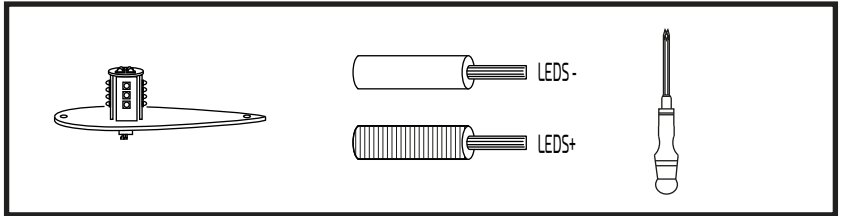
2



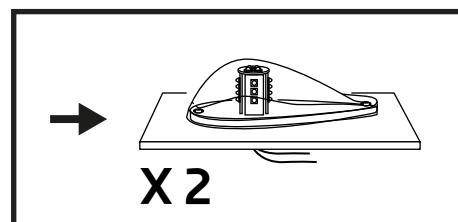
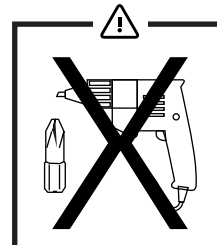
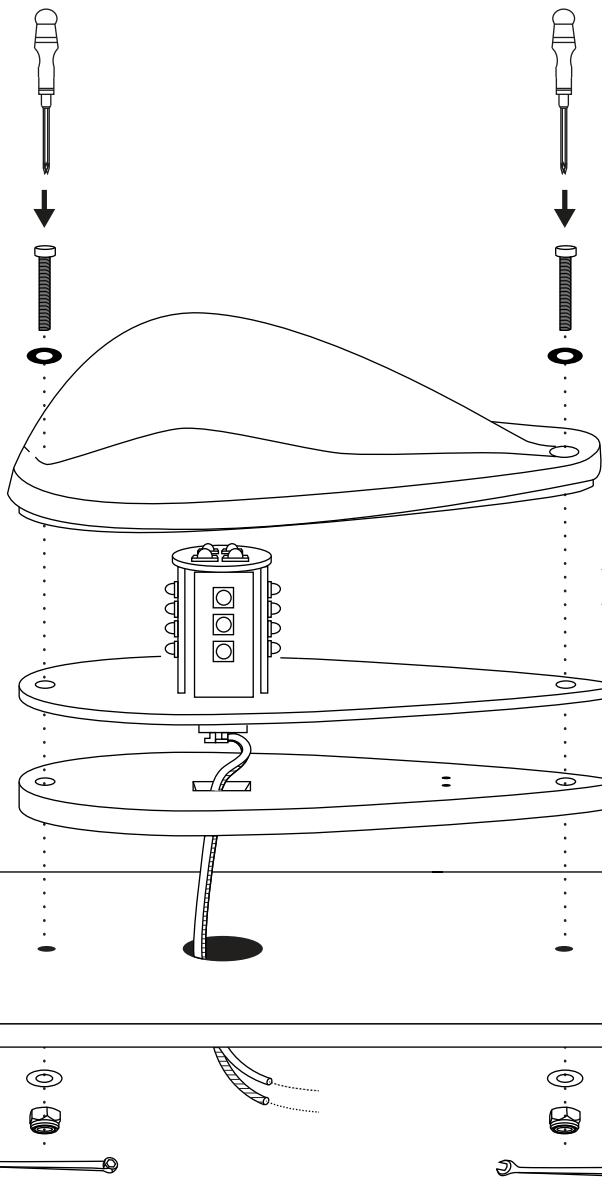
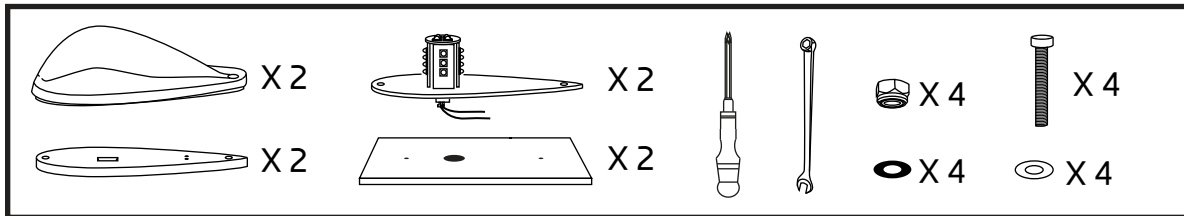
3



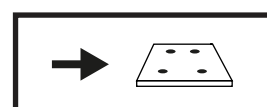
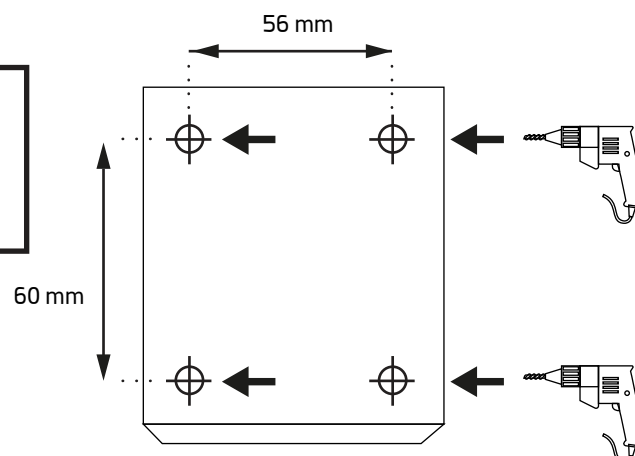
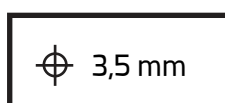
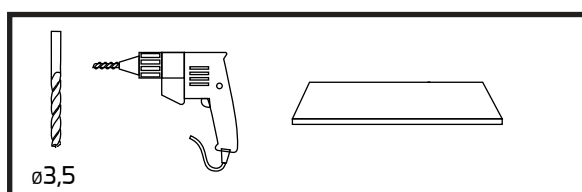
4



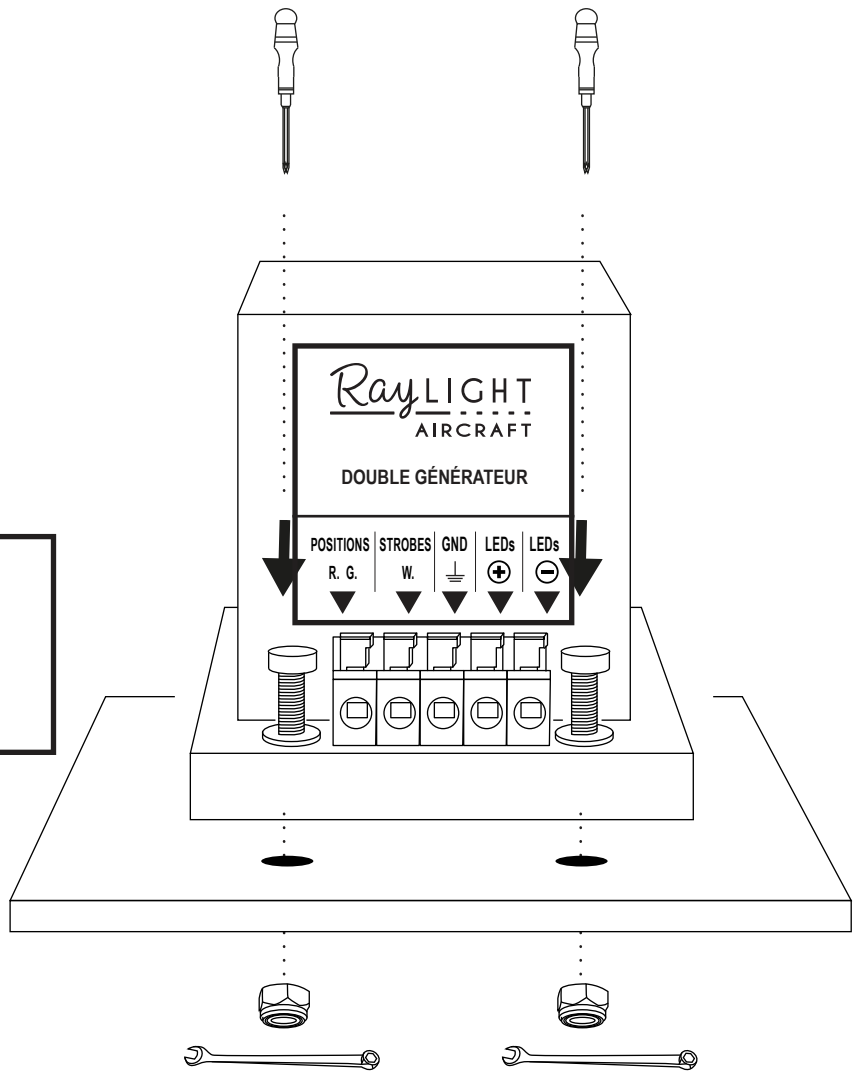
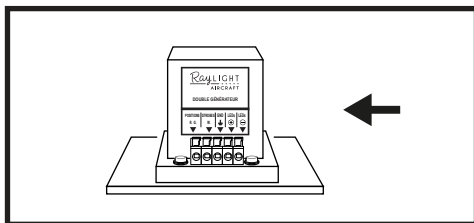
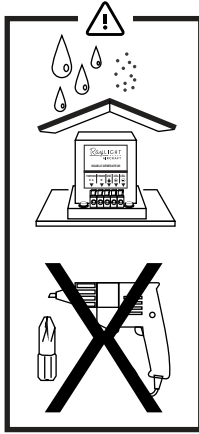
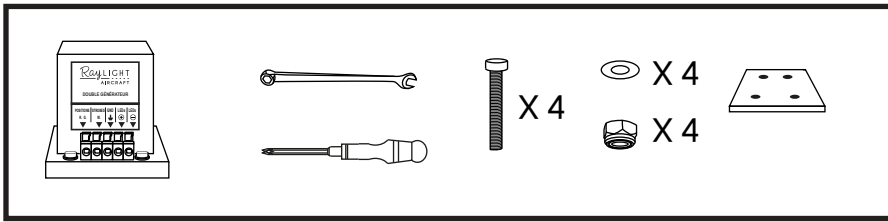
4



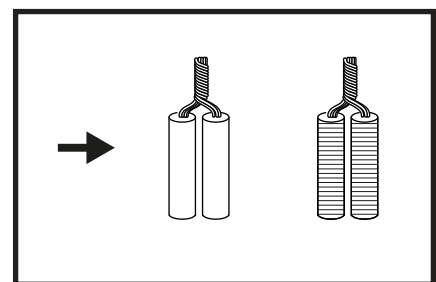
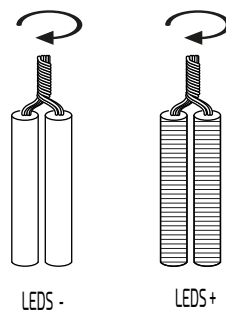
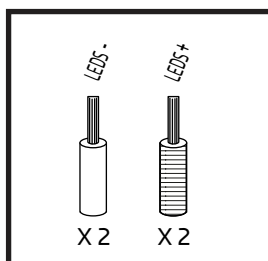
5



6



7



8

